

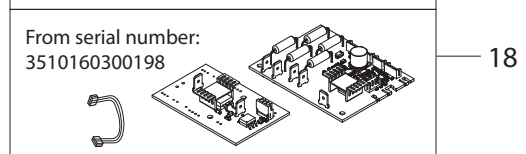
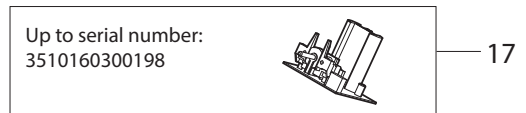
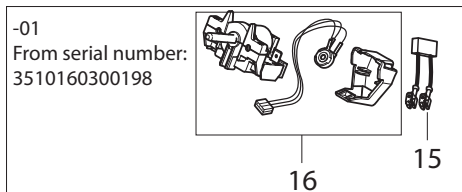
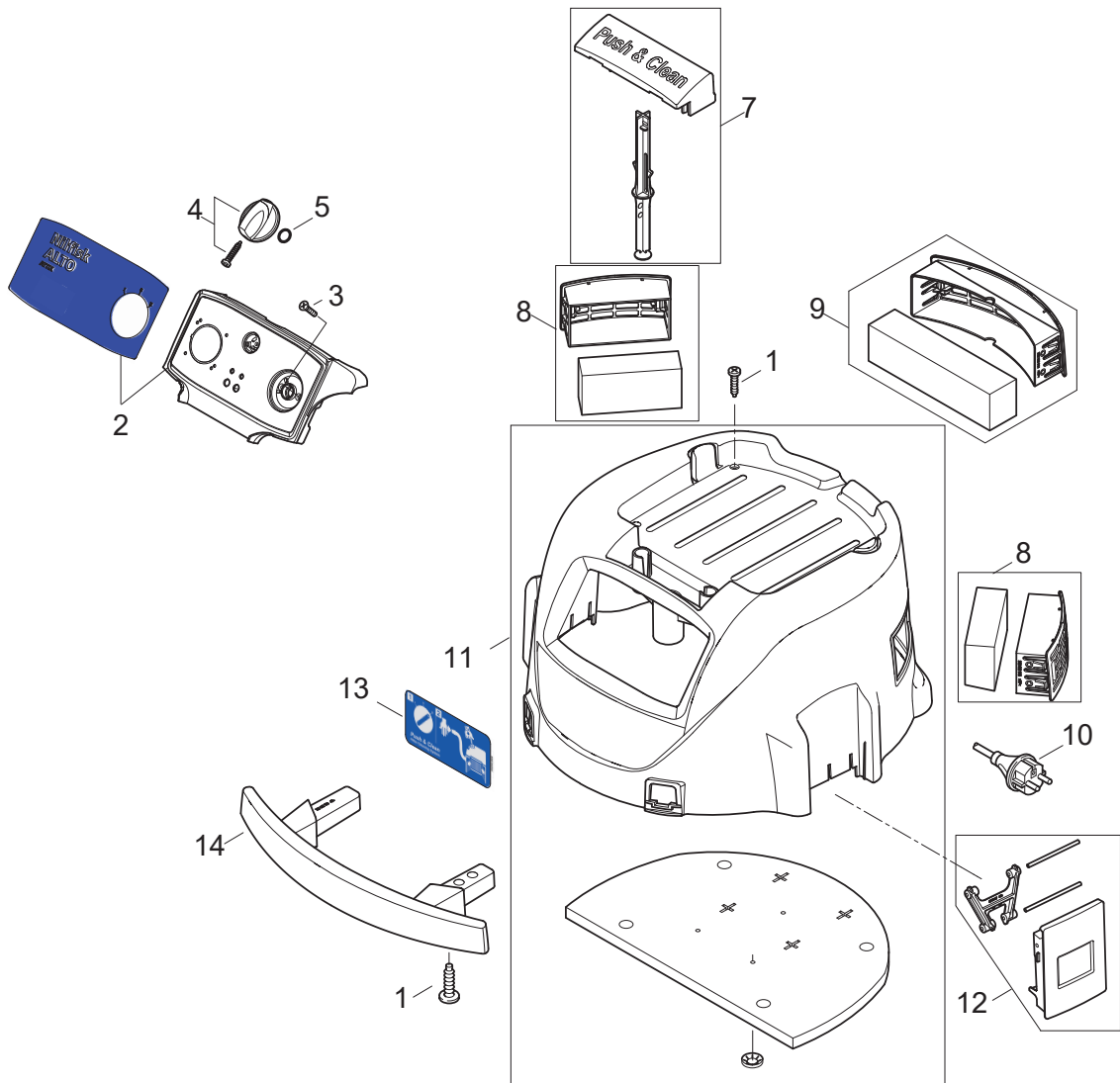
PARTS LIST



2018.09.06

TABLE OF CONTENTS

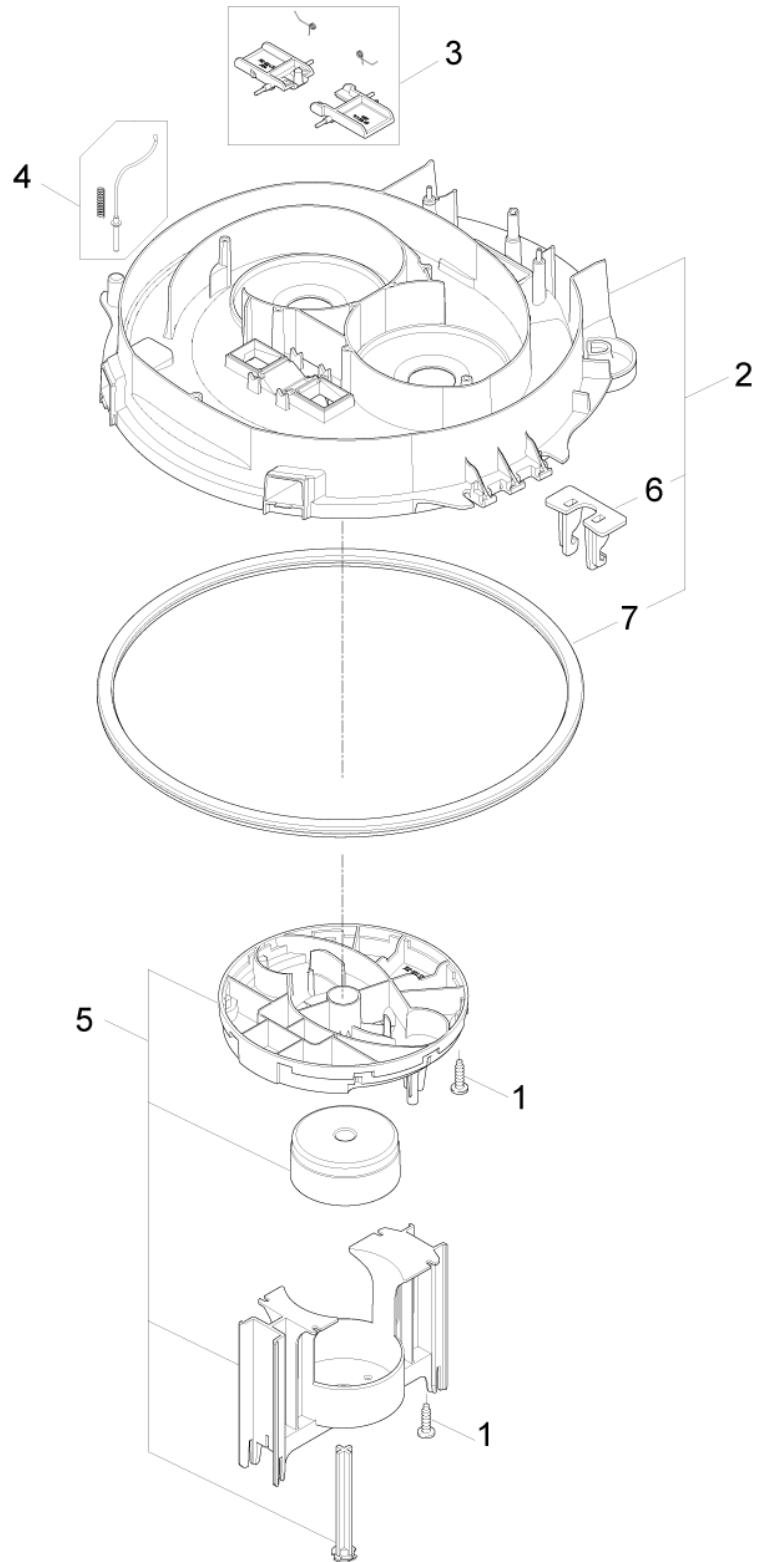
Cabinet BASIC	1
Base BASIC	3
Filter system	5
Motor and motor top BASIC	7
Container and chassis BASIC	9
Accessories	11
RECOMMENDED SPARE PARTS	13



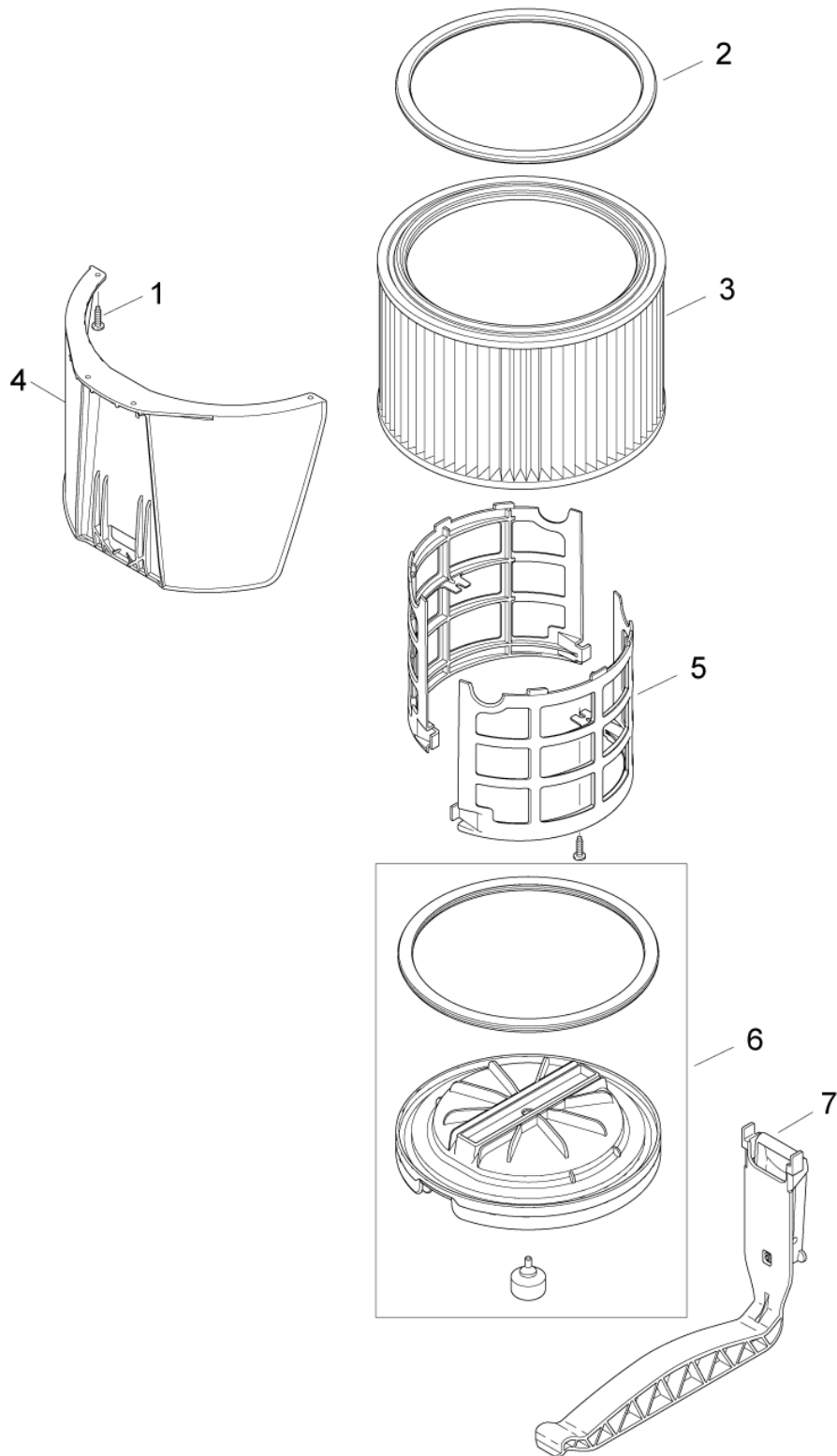
No.	Part No.	Qty.	Description	Part Note
0	302001792	1	CARDBOARD BOX NEUTRAL 2.40 BC	
1	302003376	1	SCREW KIT	
2	302003399	1	DISPLAY I-0-II ATTIX 9 SET-1	
3	18274	2	COUNTERSUNK SCREW M4X12	
4	909100204	1	ROTARY KNOB 6X5 ALTO BLUE	
5	9868	1	O-RING 10.2X2.5 NBR 70	
7	302003395	1	PUSH BUTTON KIT P AND C ATTIX9	
8	302003397	2	MOTOR COOLING DIFFUSER ATTIX9 / IVB9	
9	302003398	1	EXHAUST AIR FILTER ATTIX9/IVB9	
10	302002788	1	LTG NETZ H07RN-F3G1.5X10.6M	[1]
10	302002790	1	LTG NETZ H07BQ-F3G2.5X10.8M CE	[2]
10	302002789	1	CABLE 10.6 METER CH	[3]
10	107402666	1	POWERCORD 1.5X10.8M CEE7 EU	[4]
10	302002791	1	WIRE NETZ H07RN-F3G1.0X10.8M	[5]
11	302003394	1	HOOD KIT ATTIX 9/IVB9-P AND C	
12	302003383	1	CLAMP KIT ATTIX 9/IVB 9	
13	302002899	1	LABEL PUSH AND CLEAN 130X60	
14	302002590	1	HANDLE BAR BLACK PP	
15	107404542	1	ANTI-INTEFERENCE CAPACITOR SET	
16	107415193	1	ROTARY SWITCH 3 POS 16A KIT	[6]
17	107401080	1	ELEKTRONIK I-0-II 9 KIT	[6]
17	107407434	1	ELEKTRONIK I-0-II ATTIX 9 110V KIT	[6]
18	107415191	1	PCBA 2M-1S KIT1 220-240V	[6]
18	107415192	1	PCBA 2M-1S KIT1 100-120V	[6]
19	107414081	1	WIRE/CAPACITOR KIT1	[6]

Part Notes:

- [1] - 230/1/50 GB
- [2] - 110/1/50 GB
- [3] - 230/1/50 CH
- [4] - 230/1/50 EU
- [5] - 230 1 50 DK
- [6] - PB-COM-LI-2016-001 ATTIX-IVB 961_New Electronics



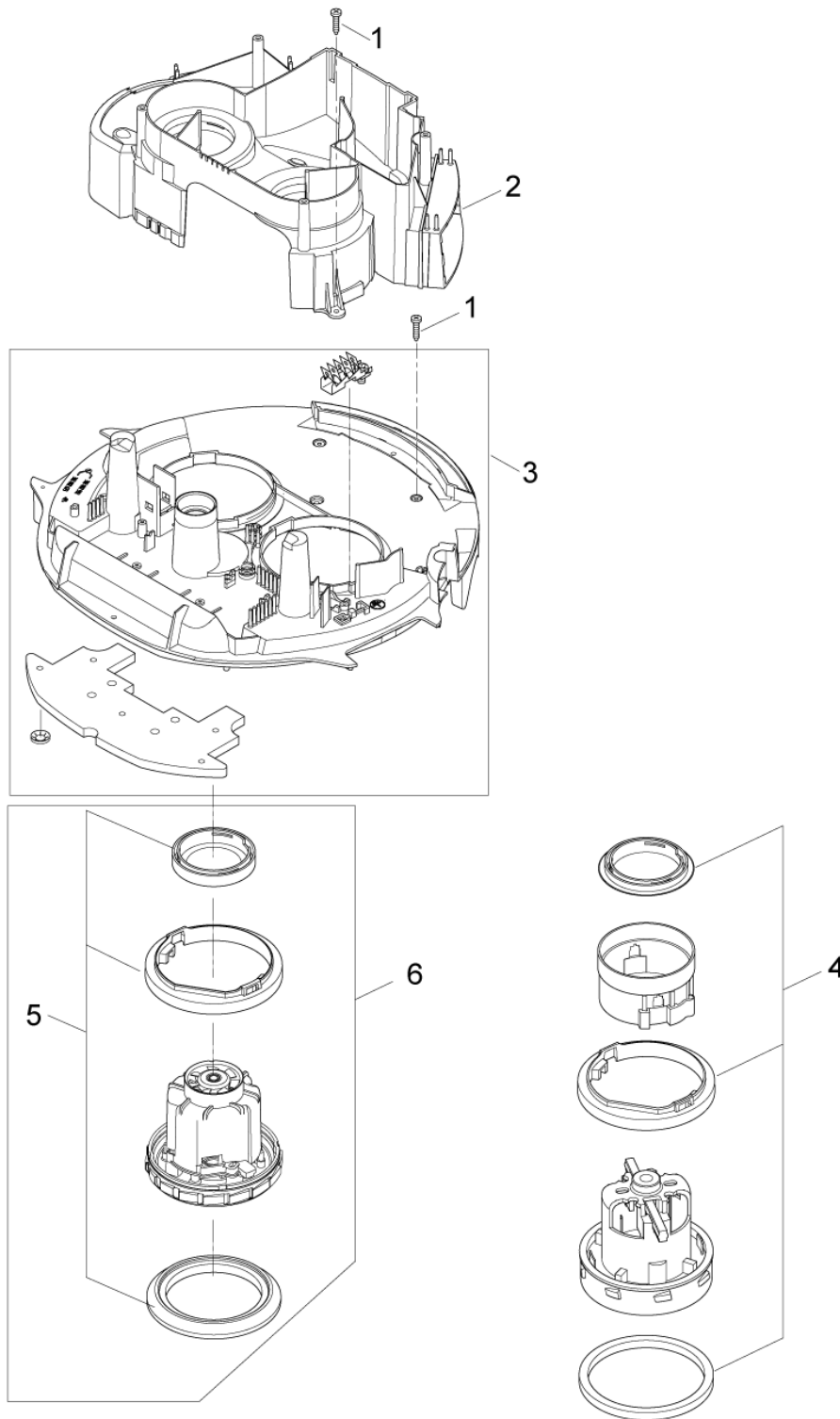
No.	Part No.	Qty.	Description	Part Note
1	302003376	1	SCREW KIT	
2	302003597	1	BASE PLATE P AND C SET-	
3	302003387	1	PUSH AND CLEAN FLAP	
4	107402835	1	CONTACT SPRING WIRE AND FASTON	
5	302003382	1	FLOATER KIT ATTIX 9/IVB 9	
6	107413313	1	FIXTURE 72X32X52 - KIT	
7	302001432	1	GASKET CONTAINER	



No.	Part No.	Qty.	Description	Part Note
1	302003319	1	SCREW KIT ATTIX/IVB	[1]
1	302003376	1	SCREW KIT	[2]
2	302000697	1	GASKET FILTER CR	
3	107400562	1	FILTER ELEMENT D275X187 PET NANO M-CLASS	
4	107402640	1	DEFLECTOR 318X180X212 KIT	
5	302000385	1	FILTER SUPPORT CAGE 216X97X177 PE	
6	107402653	1	FILTER RETAINING PLATE D251	
7	107402651	1	TENSION JACK	

Part Notes:

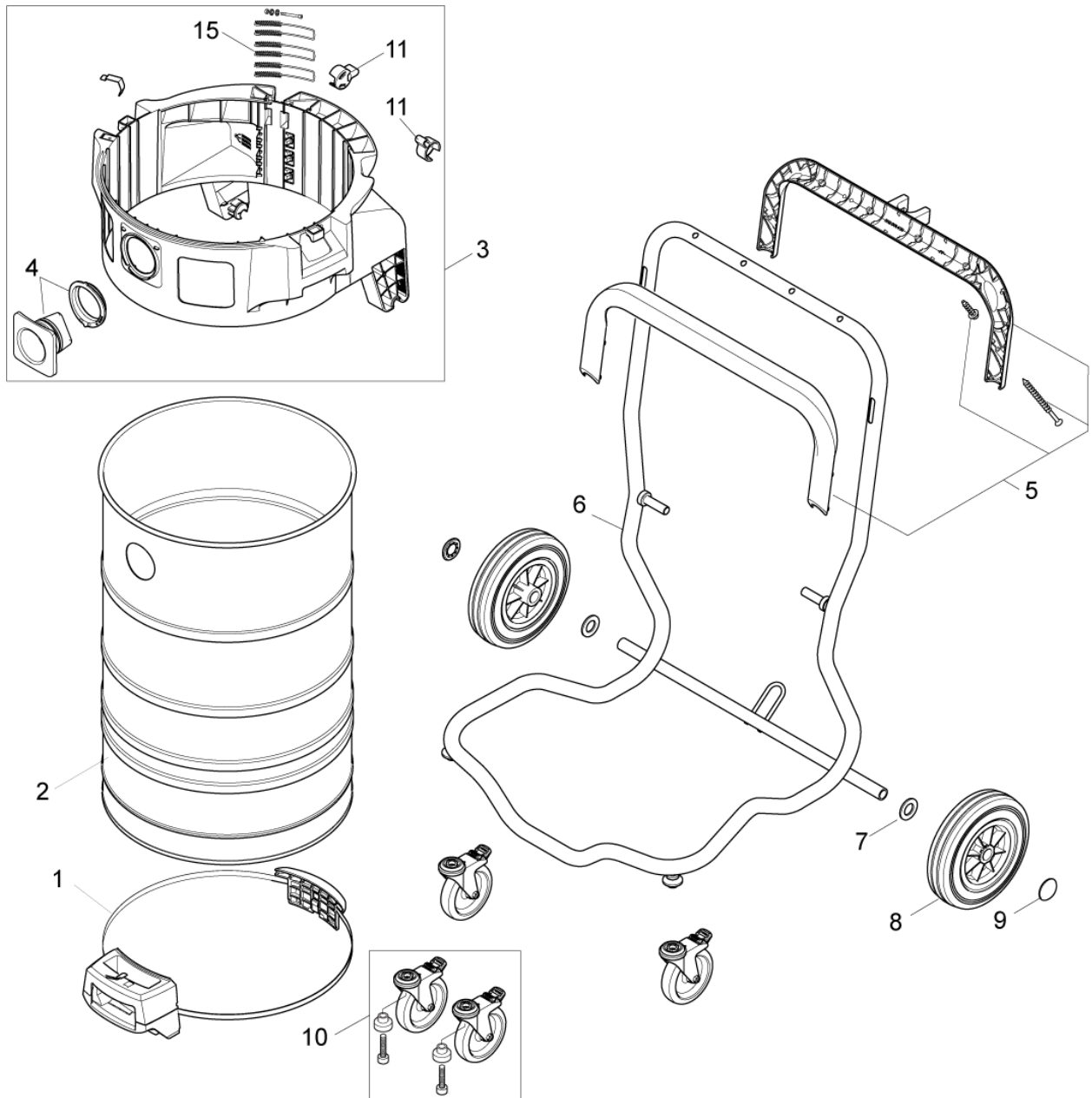
- [1] - BASIC
- [2] - SD XC



No.	Part No.	Qty.	Description	Part Note
1	302003376	1	SCREW KIT	
2	107400043	1	AIRGUIDE ATTIX 9 KIT	
3	302003389	1	CLAMPING PLATE KIT	
4	302003390	1	SEALING KIT S	
5	302003385	1	SEALING KIT R	
6	302003386	1	MOTOR KIT 1000W 230V	
6	302003384	1	MOTOR KIT 1200W 230V	
6	107417417	1	MOTOR KIT 1000W 110-120V 50/60HZ	[1]

Part Notes:

[1] - TSB-LI-VACS-2016-001 New Attix 30 and Attix 50 motor



No.	Part No.	Qty.	Description	Part Note
1	302001605	1	HANDLE W/ TAPE	
2	302003377	1	BASIC CONTAINER ATTIX9/IVB9 EU	
3	302003378	1	BELT KIT BASIC ATTIX 9	
4	302003380	1	INLET FITTING KIT ATTIX 9/IVB9	[1]
5	302001706	1	HANDELBAR KIT-1	
6	302001437	1	BASE FRAME	
7		1	Washer	
8	107401077	2	WHEEL 200X50 KIT	
9	3750	2	WHEEL CAP D20	
10	107401054	1	CASTOR TURNABLE WITH BRAKE KIT	
11	302001441	2	INTERLOCK	
15	909100383	1	SPRING 1.40X7.5X113	

Part Notes:

[1] - See STI VAC-094

No.	Part No.	Qty.	Description	Part Note
1	302003003	1	CHIP BASKET ATTIX9 BASIC	
2	302002624	1	ACCESSORY BASKET	
3	107409036	1	EXHAUST FITTING KIT D50 ATTIX 9	
4	107400041	1	MOTOR COOLING AIR FILTER ATTIX9/IVB9	[1]
5	302002622	1	FORKLIFT ACCESSORY	
7	107400049	1	MULTIFIT ADAPTER SET	[2]
7	302002796	1	UNI. SUCTION HOSE Ø38X4000MM EVA	
8	107402474	1	EXTENSION TUBES R38 2X500 KIT	
9	302002889	1	CURVED HAND TUBE D38 MM SS	
10	302002890	1	CREVICE NOZZLE Ø38x300 MM PP	
11	302002884	1	TOOL ADAPTER 38/50 MM	
12	302002798	1	FLOOR NOZZLE D38x400 WET AND DRY	
13	107400562	1	FILTER ELEMENT D275X187 PET NANO M-CLASS	
15	302002892	1	FLEECE FILTER BAG PU 5 PCS	

Part Notes:

- [1] - Type 22
 [2] - for 3020002796

RECOMMENDED SPARE PARTS

ATTIX 961-01

2017.11.02

2016.12.16

No.	Part No.	Qty.	Description	Part Note
01	302000385	1	FILTER SUPPORT CAGE 216X97X177 PE	
01	302000697	1	GASKET FILTER CR	
01	302001432	1	GASKET CONTAINER	
01	302002790	1	LTG NETZ H07BQ-F3G2.5X10.8M CE	
01	3750	1	WHEEL CAP D20	
01	107400043	1	AIRGUIDE ATTIX 9 KIT	
01	302003384	1	MOTOR KIT 1200W 230V	
01	107400562	1	FILTER ELEMENT D275X187 PET NANO M-CLASS	
01	107402835	1	CONTACT SPRING WIRE AND FASTON	
01	107417417	1	MOTOR KIT 1000W 110-120V 50/60HZ	
01	302003389	1	CLAMPING PLATE KIT	
01	302002899	1	LABEL PUSH AND CLEAN 130X60	
01	107401077	1	WHEEL 200X50 KIT	
01	107401054	1	CASTOR TURNABLE WITH BRAKE KIT	
01	302003378	1	BELT KIT BASIC ATTIX 9	
01	302003386	1	MOTOR KIT 1000W 230V	
01	107402653	1	FILTER RETAINING PLATE D251	
01	302003382	1	FLOATER KIT ATTIX 9/IVB 9	
01	302003380	1	INLET FITTING KIT ATTIX 9/IVB9	
01	302003390	1	SEALING KIT S	
01	107402651	1	TENSION JACK	
01	302003394	1	HOOD KIT ATTIX 9/IVB9-P AND C	
01	302002590	1	HANDLE BAR BLACK PP	
01	302003385	1	SEALING KIT R	
01	302001441	1	INTERLOCK	
01	302003387	1	PUSH AND CLEAN FLAP	
01	302003383	1	CLAMP KIT ATTIX 9/IVB 9	
01	302002789	1	CABLE 10.6 METER CH	
01	107413313	1	FIXTURE 72X32X52 - KIT	
01	909100204	1	ROTARY KNOB 6X5 ALTO BLUE	
01	107401080	1	ELEKTRONIK I-0-II 9 KIT	
01	302003376	1	SCREW KIT	
01	302002791	1	WIRE NETZ H07RN-F3G1.0X10.8M	
01	302003597	1	BASE PLATE P AND C SET-	

